



# 1000 Base - T Magnetics Modules



## PART NUMBERING SYSTEM

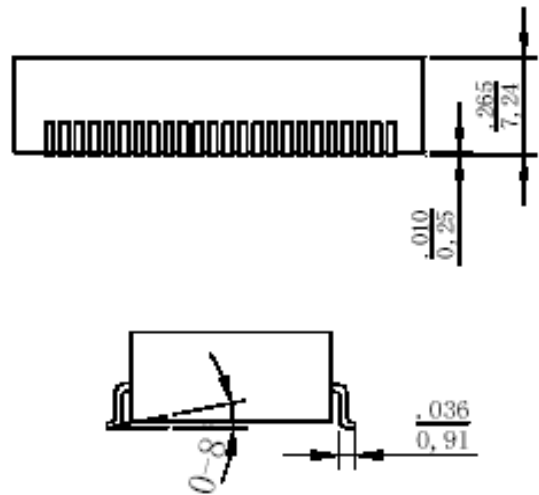
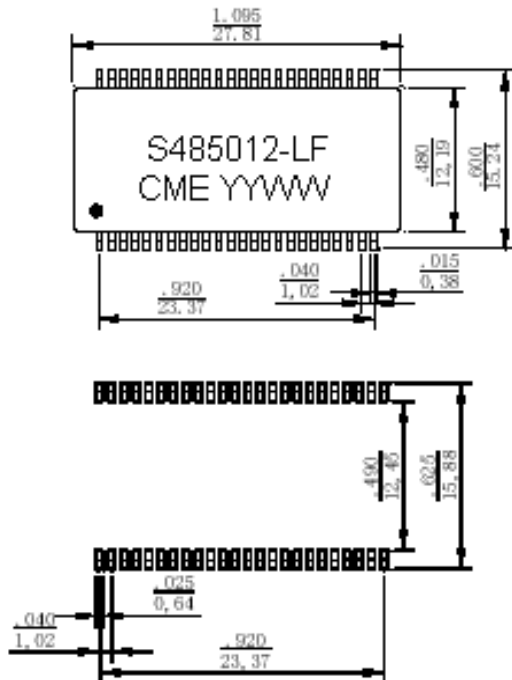


## FEATURES

- Designed to support 1:1 turns ratio transceivers
- Meets IEEE 802.3 specification
- Designed for long haul Gigabit Ethernet (10/100/1000Base-T) applications
- S24-5008-LF designed to fit behind 1x1 RJ45 connector
- Cable interface for isolation and low common mode emissions
- RoHS compliant peak solder rating 235°C

## SHAPES AND DIMENSIONS

### Mechanicals



Dimensions: Inch/mm  
Unless otherwise specified, all tolerances are ±.010/0.25

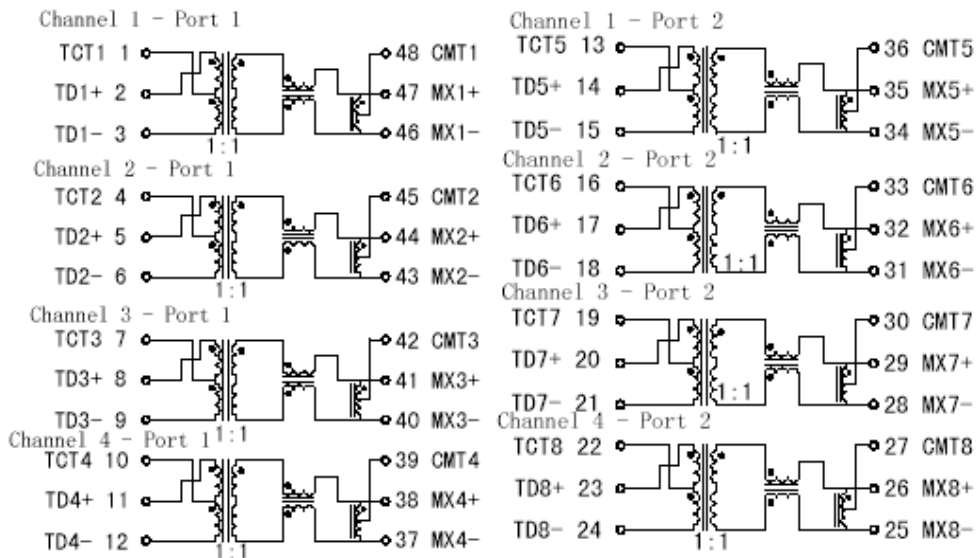


# 1000 Base - T Magnetics Modules

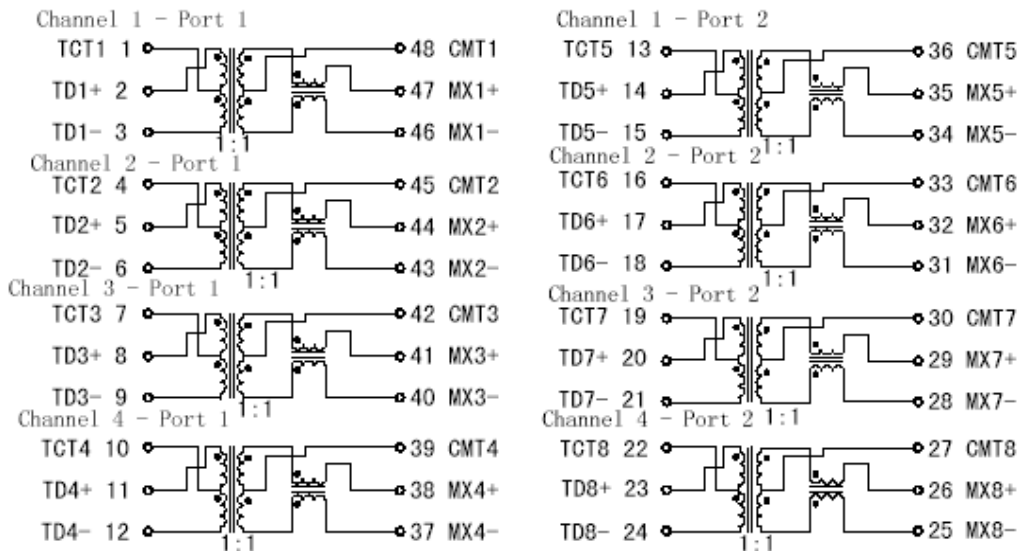


RoHS Compliant

## Schematics : S48-5012-LF



## Schematics : S48-5014-LF





**Coilmaster Electronics Co., Ltd.**

[info@coilmaster.com.tw](mailto:info@coilmaster.com.tw)

TEL : +886-3-422-8279 FAX : +886-3-422-8734

[www.coilmaster.com.tw](http://www.coilmaster.com.tw)

9F-3 No.398, Huan Bei Road, Chung Li City , Taoyuan 320, Taiwan .

## 1000 Base - T Magnetics Modules



RoHS Compliant

### FEATURES

- Designed to support 1:1 turns ratio transceivers
- Meets IEEE 802.3 specification
- Designed for long haul Gigabit Ethernet (10/100/1000Base-T) applications
- S24-5008-LF designed to fit behind 1x1 RJ45 connector
- Cable interface for isolation and low common mode emissions
- **RoHS compliant peak solder rating 235°C**

### ELECTRICAL CHARACTERISTICS @ 25°C --- Operating Temperature 0°C to 70°C

PART NUMBER	Insertion Loss (dB Max)	Return loss (dB Min @100Ω) MHz					Differential to Common Mode Rejection (dB Min) MHz			Crosstalk (dB Min) MHz			Hipot ( Vrms Min )
		1-30	40	50	60-80	100	30	60	100	30	60	100	
S48-5012-LF	1.4	-16	-14.4	-13.1	-12	-10	-45	-40	-35	-43.5	-37.5	-33	1500
S48-5014-LF	1.4	-16	-14.4	-13.1	-12	-10	-45	-40	-35	-43.5	-37.5	-33	1500